



# Jeanneau Merry Fisher 795 Sport - Series 2

£129,995 • Essex United Kingdom (UK) • New • 2026

## Presented by

Peter Marchant  
Phone: 44(0)1206302003

## Morgan Marine

The Boatyard, Shipyard  
Estate  
CO7 0AR Colchester  
United Kingdom (UK)



## Details

Make:	Jeanneau
Model:	Merry Fisher 795 Sport - Series 2
Year:	2026
Condition:	New
Engine type:	
Fuel type:	Gasoline
Length:	8.14 m (26.71 ft)
Beam:	2.82 m (9.25 ft)
Cabins:	0
Berths:	0



Morgan Marine



7zea.com

# Description

EN

Jeanneau Merry Fisher 795 Sport - Series 2 - with must have options and Yamaha F250 NSB X - Steer By Wire outboard, bow thruster - for great performance and easy close-quarter manoeuvrability. With a saving of over £15,500 on the RRP. Port and starboard wheelhouse side doors and aft window. Over £47,000 extras including Trim Level Premiere, upgraded Garmin electronics + VHF, electric windlass, cockpit side benches (convert to sunpad), swim platforms, marine toilet and much more! CE category C for 9. Delivered to Morgan Marine with full PDI / commissioning / installation, 3 piece name set and hand over package + prepared and antifouled. This 2026 model Jeanneau Merry Fisher 795 Sport is on order with the factory and will arrive at Morgan Marine soon. NB - library photos may not reflect specification of boat.

Deck: Electric windlass (with control from helm) + self draining anchor locker + bow roller + anchor and chain. 2 forward chocks + 2x forward + 2x middle + 2x aft mooring cleats. Open front pulpits + handrails + side pulpits + aft cockpit handrails. Walk around side decks to bow. Folding aft cockpit bench (with cushion) + luxury folding port and starboard side benches (with cushions) + removable GRP box to form sunpad. 3x cockpit deck lockers. Swim platform with ladder + cockpit barrier. Cockpit side gate for easy access onto mooring. Fishing rod holders. Live bait tank (without oxygenation) + fish cutting table - to aft. Mooring kit - fenders and ropes. Storage rack on the roof for Stand Up Paddle board. Removable aft cockpit table. Front cockpit table and cushions. Cockpit shower and electric deck wash pump.

Cabin: Forward cabin with double berth, opening porthole, hatch to deck, shelves and overhead light. Separate compartment with marine toilet + holding tank and opening porthole.

Cockpit: Wheelhouse with aft window (instead of aft door), inverted windscreen (the top is further forward than the bottom) - with port and starboard windscreen wipers + screen wash, roof hatch, plus port and starboard side door. Helm position with full engine controls, electronics, compass and horn. Pilot bolster seat - lockers under seats. Galley behind helm position - sink, 40L fridge and space for removable gas stove. Folding saloon table. Fabric upholstery in saloon. Wheelhouse inside curtains.

Electronics: Upgraded Garmin Electronic Pack: Garmin GPSmap 1223xsv, GT23M-TM transducer and display of engine information on Garmin screen. Garmin VHF 215i + AIS. 220v shore power socket + battery charger. Overhead lights in wheelhouse and cabin. Navigation lights. 2x front headlights on the roof (2 LED light bars).

Machinery: Yamaha F250 NSB X - Steer By Wire outboard engine. Hydraulic steering. Bow thruster. Pressurised fresh water system, water tank, cockpit shower, tap in galley, tap in toilet compartment. Volcano engine lock. Manual and electric bilge pumps. Fuel capacity: 280L (with outside fill). Water capacity: 100L.

## General information

Make:	Jeanneau
Model:	Merry Fisher 795 Sport - Series 2
Year:	2026
Condition:	New

## Engine

Engine type:	
Fuel type:	Gasoline

## Measurements

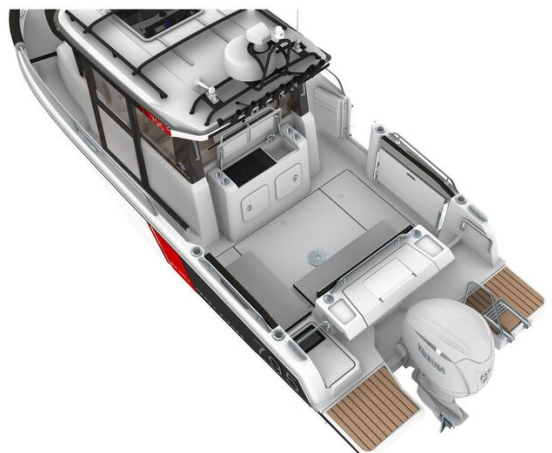
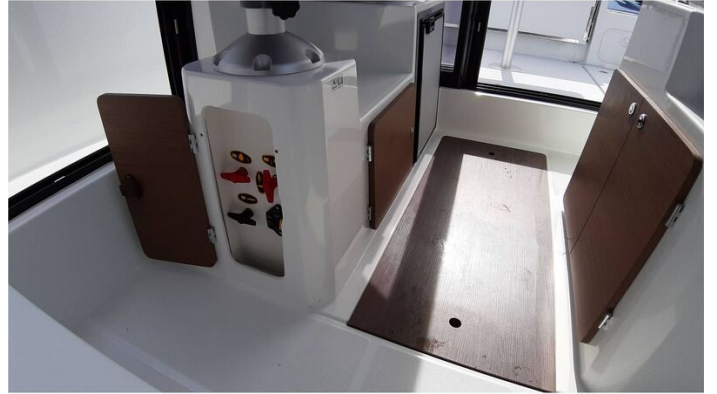
Length:	8.14 m (26.71 ft)
Beam:	2.82 m (9.25 ft)
Deep:	0.58 m (1.90 ft)
Weight:	0 ( )

## Accommodation

Cabins:	0
Berths:	0

# Images





**Morgan Marine**

The Boatyard, Shipyard Estate  
CO7 0AR Colchester  
United Kingdom (UK)

Phone: 44(0)1206302003

<https://morganmarine.com>

