



Jeanneau Merry Fisher 795 Sport - Series 2

£110,995 • Essex United Kingdom (UK) • New • 2026

Presented by

Peter Marchant
Phone: 44(0)1206302003

Morgan Marine

The Boatyard, Shipyard
Estate
CO7 0AR Colchester
United Kingdom (UK)



Details

Make:	Jeanneau
Model:	Merry Fisher 795 Sport - Series 2
Year:	2026
Condition:	New
Engine type:	
Fuel type:	Gasoline
Length:	8.14 m (26.71 ft)
Beam:	2.82 m (9.25 ft)
Cabins:	0
Berths:	0



Morgan Marine



7zea.com

Description

EN

Jeanneau Merry Fisher 795 Sport - Series 2 - with Honda BF200 XDU - Drive By Wire outboard and bow thruster - for great performance and easy close-quarter manoeuvrability. With a saving of over £8,500 on the RRP. Port and starboard wheelhouse side doors and aft window. Over £30,000 extras including Trim Level Premiere, Garmin electronics + VHF, electric windlass, cockpit side benches (convert to sunpad), swim platforms, marine toilet and more! CE category C for 9. Delivered to Morgan Marine with full PDI / commissioning / installation and hand over package. This 2026 model Jeanneau Merry Fisher 795 Sport is on order with the factory and will arrive at Morgan Marine soon. NB - library photos may not reflect specification of boat.

Deck: Electric windlass + self draining anchor locker + bow roller + anchor and chain. 2 forward chocks + 2x forward + 2x middle + 2x aft mooring cleats. Open front pulpits + handrails + aft cockpit handrails. Walk around side decks to bow. Folding aft cockpit bench + luxury folding port and starboard side benches (with cushions) + removable GRP box to form sunpad. 3x cockpit deck lockers. Swim platform with ladder + cockpit barrier. Cockpit side gate for easy access onto mooring. Fishing rod holders. Live bait tank (without oxygenation) + fish cutting table - to aft. Mooring kit - fenders and ropes. Storage rack on the roof for Stand Up Paddle board. Removable aft cockpit table. Cockpit shower.

Cabin: Forward cabin with double berth, opening porthole, hatch to deck, shelves and overhead light. Separate compartment with marine toilet + holding tank and opening porthole.

Cockpit: Wheelhouse with aft window (instead of aft door), inverted windscreen (the top is further forward than the bottom) - with port and starboard windscreen wipers + screen wash, roof hatch, plus port and starboard side door. Helm position with full engine controls, electronics, compass and horn. Pilot bolster seat - lockers under seats. Galley behind helm position - sink and space for removable gas stove. Fabric upholstery in saloon.

Electronics: Garmin Electronic Pack: Garmin echoMAP UHD2 92sv touch and GT23M-TM transducer. Garmin VHF 215i + AIS. Overhead lights in wheelhouse and cabin. Navigation lights.

Machinery: Honda BF200 XDU - Drive By Wire outboard engine. Hydraulic steering. Bow thruster. Pressurised fresh water system, water tank, cockpit shower, tap in galley, tap in toilet compartment. Volcano engine lock. Manual and electric bilge pumps. Fuel capacity: 280L (with outside fill). Water capacity: 100L.

General information

Make:	Jeanneau
Model:	Merry Fisher 795 Sport - Series 2
Year:	2026
Condition:	New

Engine

Engine type:	
Fuel type:	Gasoline

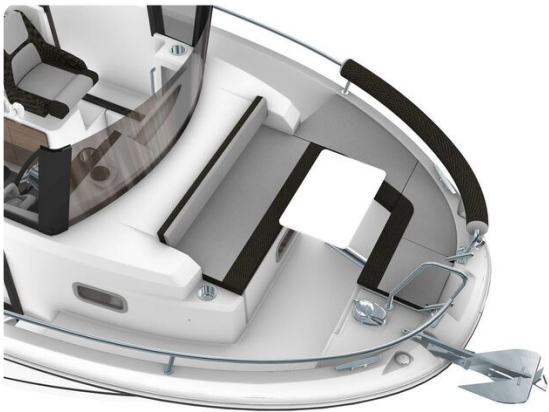
Measurements

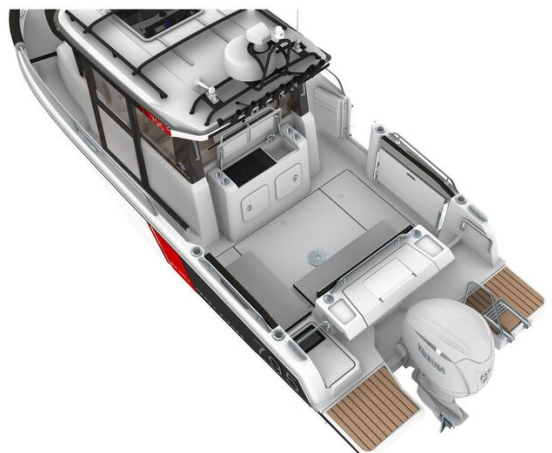
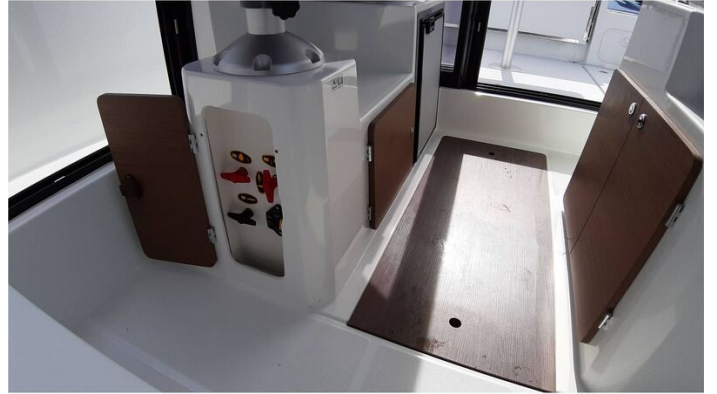
Length:	8.14 m (26.71 ft)
Beam:	2.82 m (9.25 ft)
Deep:	0.58 m (1.90 ft)
Weight:	0 ()

Accommodation

Cabins:	0
Berths:	0

Images





Morgan Marine

The Boatyard, Shipyard Estate
CO7 0AR Colchester
United Kingdom (UK)

Phone: 44(0)1206302003

<https://morganmarine.com>

